



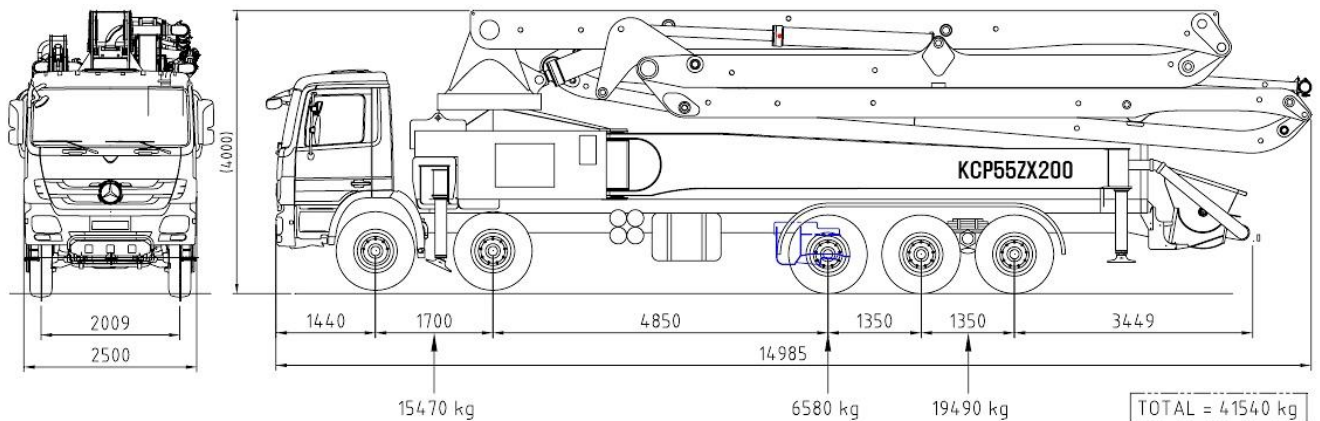
KCPPUMP s.r.o. – Vysokov 140 - 549 12 Náchod - Vysokov – **CZECH REPUBLIC**
 T/F: +420 491482423, +420 777764605, e-mail: obchod@kcppump.cz - www.kcppump.cz

MOBILE CONCRETE PUMP - KCPPUMP - KCP55ZX5-200/10x4

BOOM SPECIFICATIONS

VERTICAL REACH	53,9m	MAXIMUM OUTPUT	200m³/h
HORIZONTAL REACH	50,2m	REGULATING DELIVERY	20-200m³/h
REACH FROM FRONT OF TRUCK	46,9m	CONCRETE CYLINDER	280x2100mm
UNFOLDING HEIGHT	11,9m	CONCRETE CYLINDER DESIGN	Hard chrome
ROTATION	370°	STROKE PER MINUTE	25,6/min
REGULATORY PROPORTIONAL VALVE	HAWE	CONCRETE PRESSURE (ROD)	87,5bar
PROPORTIONAL BOOM	Yes	HOPPER CAPACITY	0,6m³
WATER PUMP	Standard	HOPPER LUBRICATING SYSTEM	Central lubrication
VODNÍ ČERPADLO	GRUNDFOS	S-TUBE	220x180mm
PRESSURE / DELIVERY	20bar/ 120l/min	HYDRAULIC WORKING PRESSURE	350bar
DELIVERY LINE	125mm	HYDRAULIC PUMP	KAWASAKI - K3V140DT
END HOSE LENGTH	4m		
OUTRIGGER SPREAD - FRONT	X - 9,3m		
OUTRIGGER SPREAD - REAR	X - 12,5m		
MAX. OUTRIGGER WEIGHT	40.000Kg		

PUMP SPECIFICATIONS



STANDARD EQUIPMENT AND TECHNICAL INFORMATION

- **5** - shoulder bracket
- Easy access to all machine components, simplifying and accelerating maintenance
- Central lubrication of the machine
- use parts that are compatible with most other products on the market
- Innovative open simple hydraulic oil circulation system with higher performance
- wear plate and cutting ring displacement in concrete mix design - "**TUNGSTEN CARBIDE**" with a guaranteed life of at least **100.000** cubic meters
- accurate and reliable remote control **HBC**
- air-conditioning, trip computer, a separate box lubrication
- holders, pipes and hoses, storage basket for accessories, lighting terminal arm
- Pressure independent hydraulic pump for washing **250bar**
- High pressure hydraulic pump for independent control of hydraulic working bodies
- Distribution Box **220V/1500W**

