



■ Boom specifications

Vertical reach	51.3 M	(168' 5")
Horizontal reach	47.5 M	(155' 11")
Reach from front of truck	44.5 M	(145' 11")
Unfolding height	11.3 M	(36' 11")
Section articulation	92° /180° /225° /180° /210°	
Rotation	370°	
Delivery line	125 mm	(5")
Proportional boom	Yes	
End hose length	4 M	(13')
Outrigger spread-front	9.1 M	(29' 10")
Outrigger spread-rear	10.6 M	(34' 10")
Max outrigger weight	33,500 kg	(73950 lbs)

■ Pump specifications

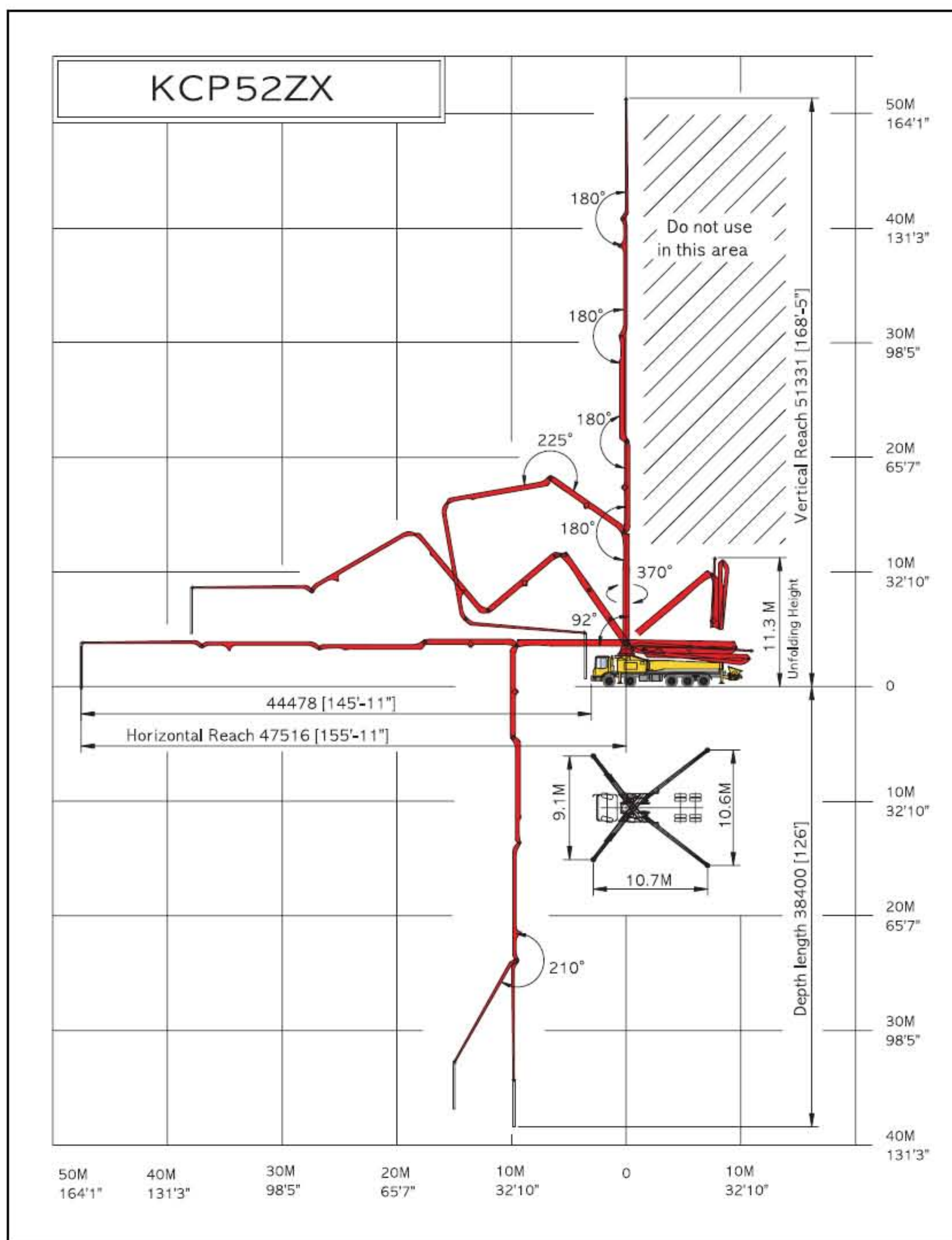
Maximum output	225 m ³ /h	(300 yd ³ /h)
Concrete cylinder	Ø280×2100mm	(11"×83')
Stroke per minute	29	
Concrete pressure(rod)	87.5 bar	(1270 psi)
Hopper capacity	0.6 m ³	(21 ft ³)
S-tube	Ø220×Ø180	(9"×7")
Hydraulic pump	Rexroth A20VLO190	
	(Kawasaki K3V180DT)	
Cycling system	Hydraulic with manual overrides	
Max aggregate size	60 mm	(2 1/2")

※maximum theoretical values listed.

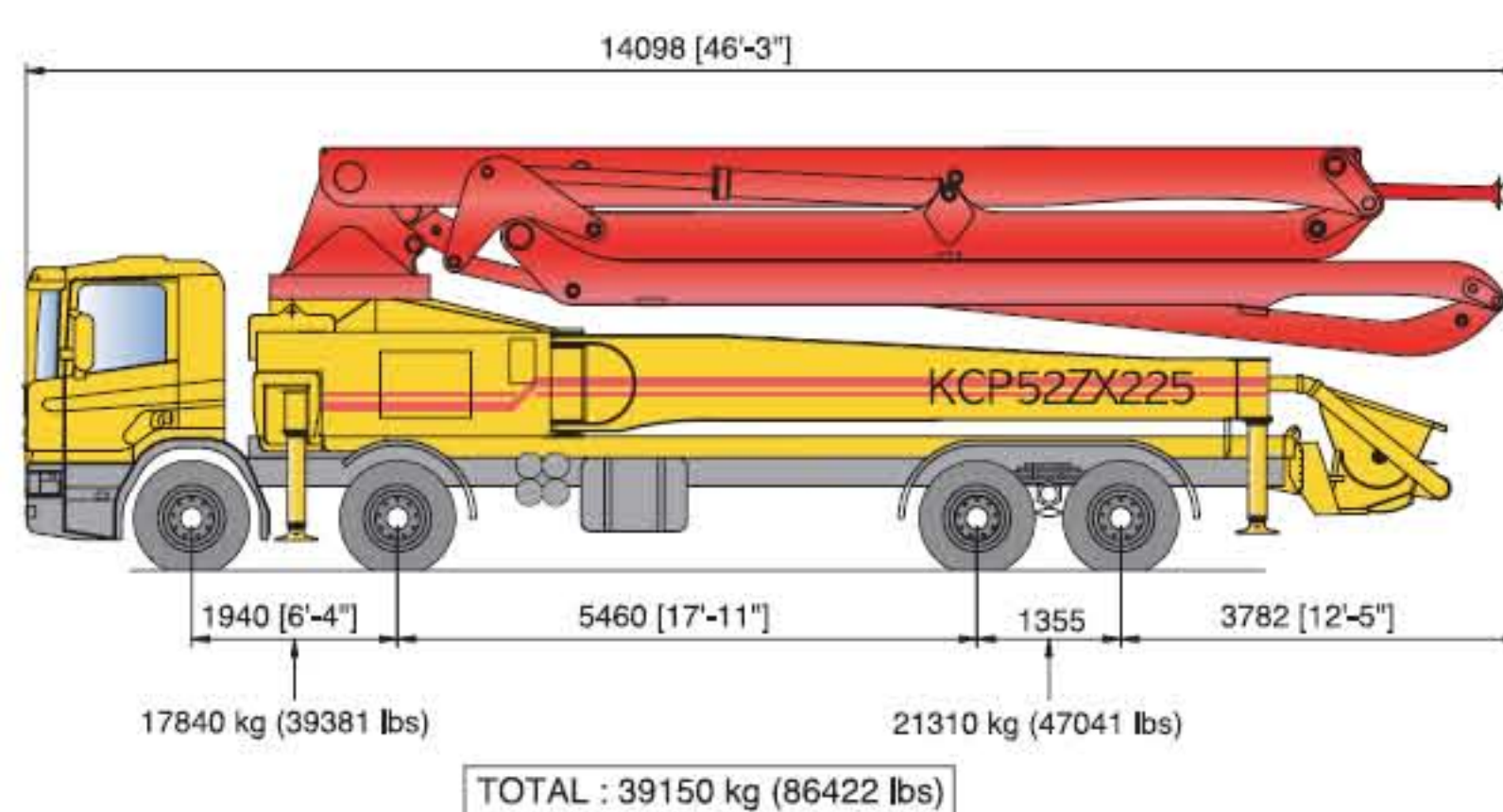
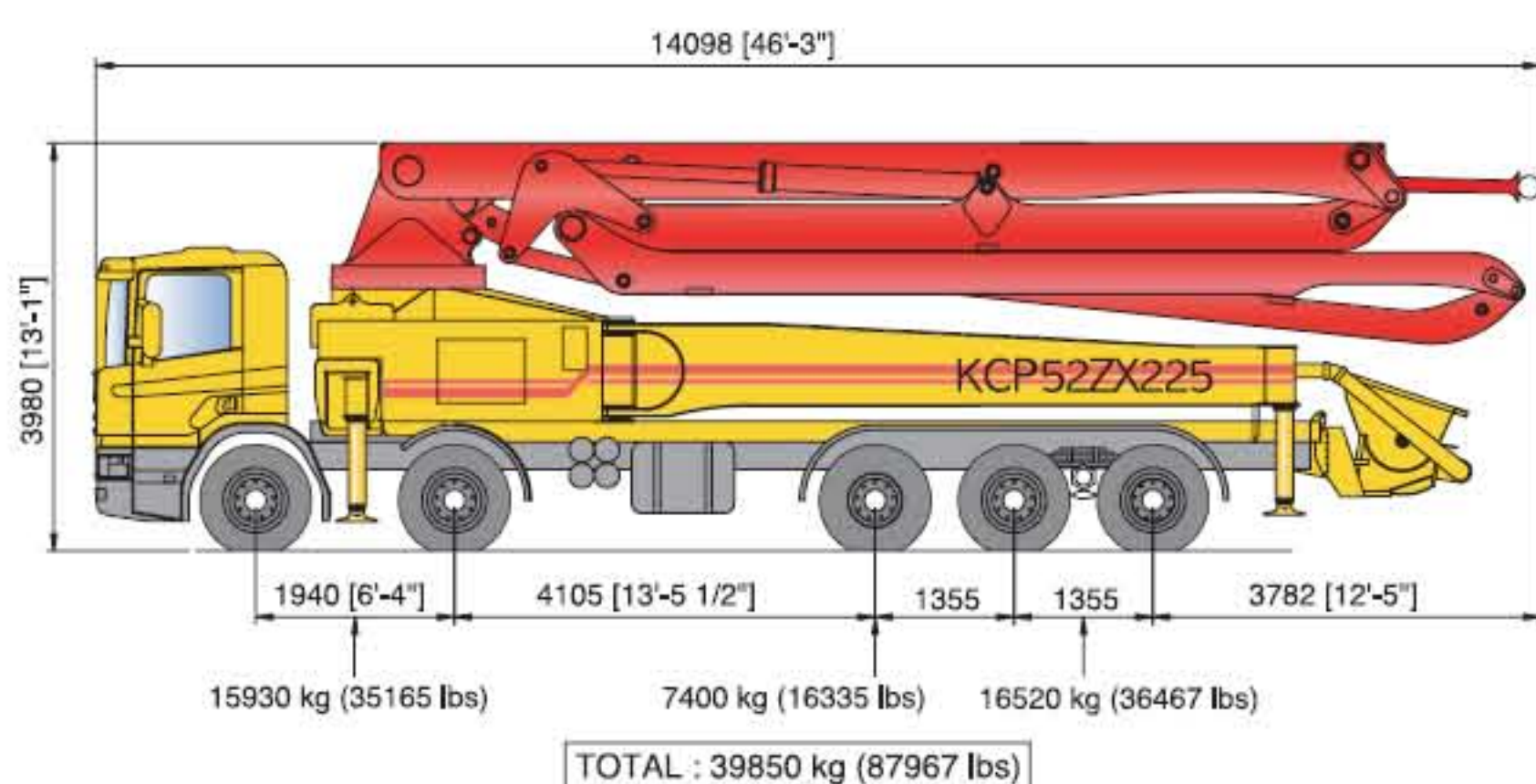
■ Truck mounted specifications

Available SCANIA, VOLVO, MERCEDES BENZ, MAN, IVECO, DAF, MAZ, ASTRA, MR MACK, FREIGHTLINER, HYUNDAI, DAEWOO,...

■ Working diagram



■ Weight diagram



※photos and drawings are for illustrative purpose only.
 ※dimension will vary with different truck makes, models and specifications.

※right to make technical amendments reserved.