

KCP28ZX120



■ Boom specifications

Vertical reach	27.8 M	(91' 1")
Horizontal reach	24 M	(78' 9")
Reach from front of truck	21.4 M	(70' 4")
Unfolding height	6.5 M	(21' 4")
Section articulation	96° / 180° / 260° / 245°	
Rotation	370°	
Delivery line	125 mm	(5")
Proportional boom	Yes	
End hose length	3 M	(10')
Outrigger spread-front	5.8 M	(19')
Outrigger spread-rear	2.74 M	(9')
Max outrigger weight	13,000 kg	(28700 lbs)

■ Pump specifications

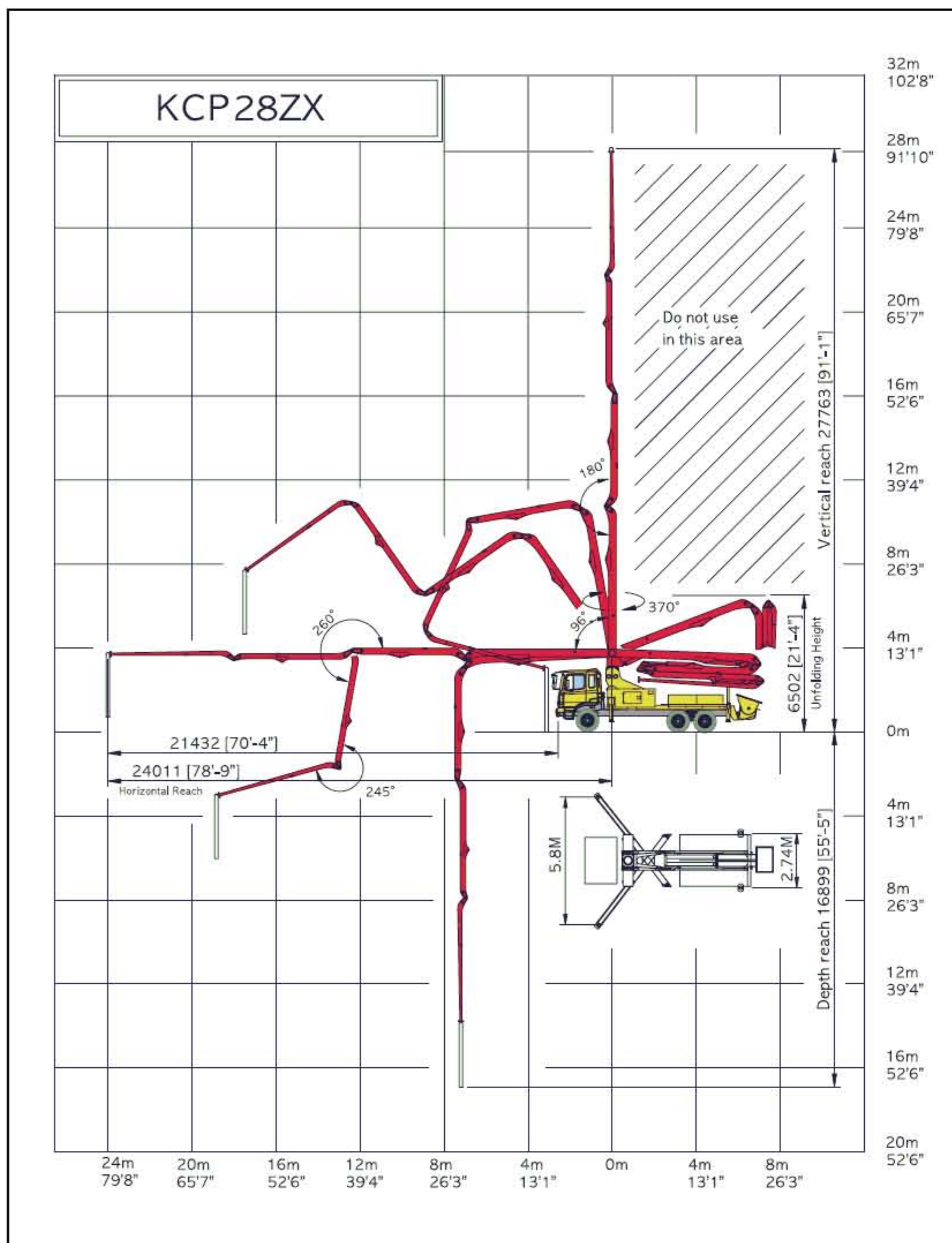
Maximum output	105 m ³ /h	(137 yd ³ /h)
Concrete cylinder	Ø230×1800mm (9"×71")	
Stroke per minute	23.5	
Concrete pressure(rod)	69 bar	(1000 psi)
Hopper capacity	0.6 m ³	(21 ft ³)
S-tube	Ø200×Ø180 (8"×7")	
Hydraulic pump	Kawasaki K3V180S (Rexroth A11VO190)	
Cycling system	Hydraulic with manual overrides	
Max aggregate size	60 mm	(2 1/2")

※ maximum theoretical values listed.

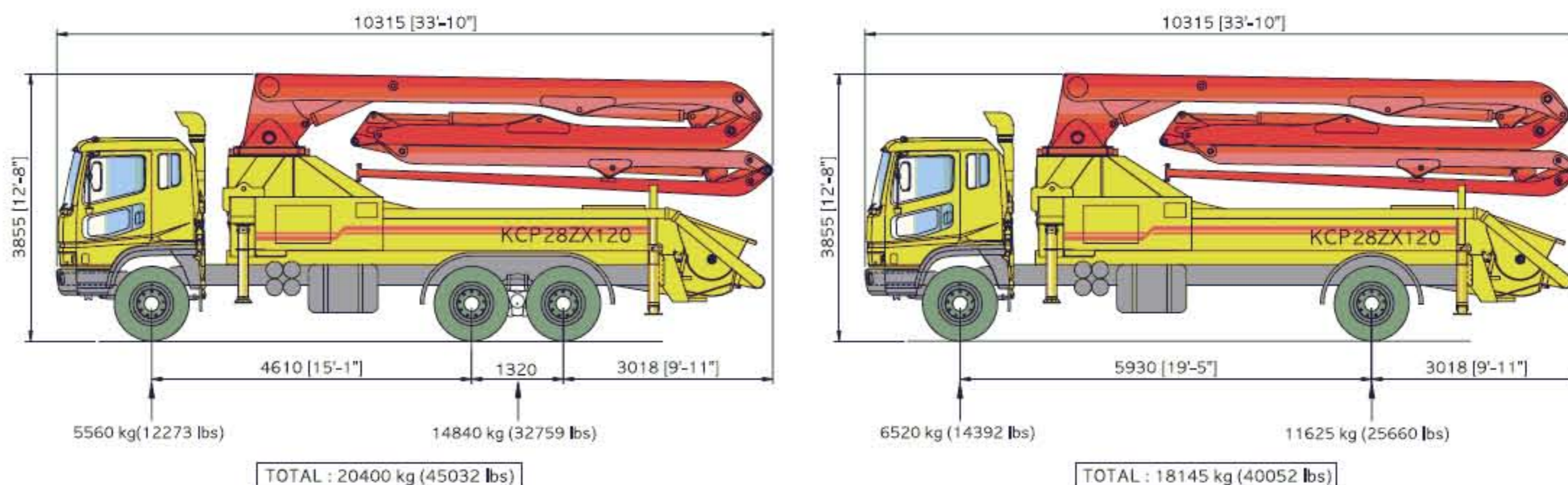
■ Truck mounted specifications

Available SCANIA, VOLVO, MERCEDES BENZ, MAN, IVECO, DAF, MAZ, ASTRA, MR MACK, FREIGHTLINER, HYUNDAI, DAEWOO, ...

■ Working diagram



■ Weight diagram



※photos and drawings are for illustrative purpose only.
 ※dimension will vary with different truck makes, models and specifications.

※right to make technical amendments reserved.